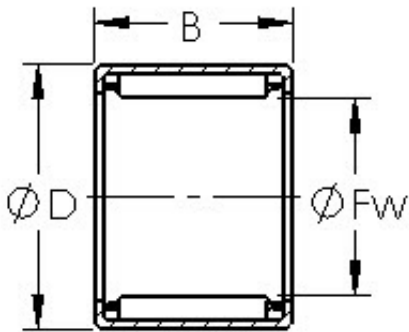




BEARING CORP.OF AMERICA



AST SCE136 needle roller bearings

Bearing No. SCE136

| | |
|--|-------------------------------------|
| Bore Diameter | 20,6502 mm |
| Outer Diameter | 27 mm |
| Width | 9,525 mm |
| Bearing Type | Cage Retained Rollers |
| Outer Dia (D) | 1.0630 |
| Width (B) | 0.3750 |
| Dynamic Load Rating (Cr) | 1,590 |
| Static Load Rating (Cor) | 1,880 |
| Max Speed (Grease) (X1000 RPM) | 13,600 |
| Shaft (Fw) | 0.813 |
| Weight (g) | 14.00 |
| Material - Drawn cup: Hardened carbon steel alloy, Rollers | 52100 Chrome steel or equivalent |

SCE136 Bearing 2D drawings and 3D CAD models