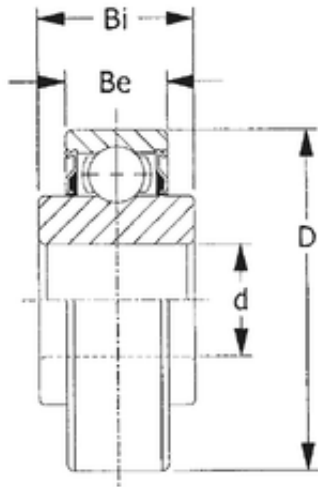




# BEARING CORP.OF AMERICA



40 mm x 80 mm x 27 mm CYSD 208KRR2 deep groove ball bearings

Bearing No. 208KRR2

Size	40x80x27 mm
Bore Diameter	40 mm
Outer Diameter	80 mm
Width	27 mm
d	40 mm
D	80 mm
B	27 mm
C	21 mm

208KRR2 Bearing 2D drawings and 3D CAD models