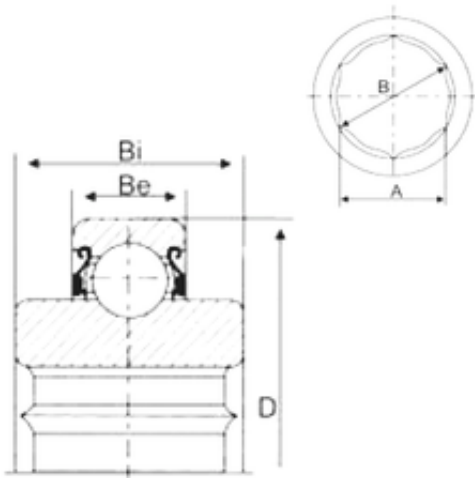




BEARING CORP.OF AMERICA

16,46 mm x 35 mm x 13 mm CYSD 202KRR3
deep groove ball bearings



Bearing No. 202KRR3

Size	16.46x35x13 mm
Bore Diameter	16,46 mm
Outer Diameter	35 mm
Width	13 mm
d	16,46 mm
D	35 mm
B	13 mm
C	11 mm
Be	11 mm
Bi	13 mm
A	14,3 mm

202KRR3 Bearing 2D drawings and 3D CAD models