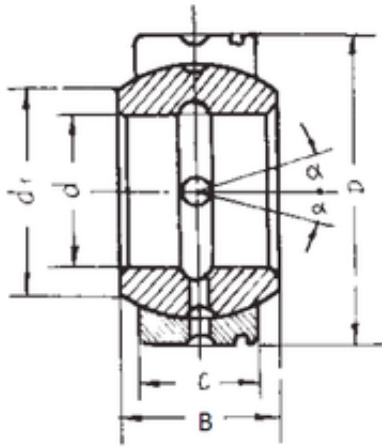




# BEARING CORP.OF AMERICA



115 mm x 180 mm x 98 mm FBJ GE115XS/K  
plain bearings

Bearing No. GE115XS/K

Size	115x180x98 mm
Bore Diameter	115 mm
Outer Diameter	180 mm
Width	98 mm
d	115 mm
D	180 mm
B	98 mm
C	85 mm
d1	132,5 mm
Angle	5 °
Weight	10,3 Kg
Basic dynamic load rating (C)	1110 kN

GE115XS/K Bearing 2D drawings and 3D CAD models