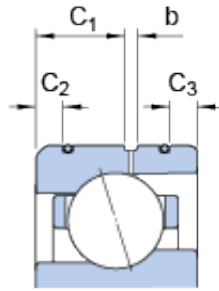
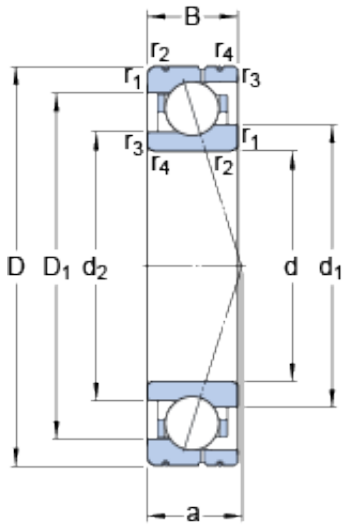




# BEARING CORP.OF AMERICA



## 55 mm x 80 mm x 13 mm SKF 71911 CE/HCP4AL angular contact ball bearings

Bearing No. 71911 CE/HCP4AL

71911 CE/HCP4AL Bearing 2D drawings and 3D CAD models

Size	80x55x13 mm
Bore Diameter	80 mm
Outer Diameter	55 mm
Width	13 mm
d	55 mm
D	80 mm
B	13 mm
d <sub>1</sub>	62.75 mm
d <sub>2</sub>	60.7 mm
D <sub>1</sub>	72.3 mm
b	2.2 mm
C <sub>1</sub>	6.5 mm
C <sub>2</sub>	2.5 mm
C <sub>3</sub>	2 mm
r <sub>1,2</sub> - min.	1 mm
r <sub>3,4</sub> - min.	0.3 mm
a	16.2 mm
d <sub>a</sub> - min.	59.6 mm
d <sub>b</sub> - min.	57 mm
D <sub>a</sub> - max.	75.4 mm
D <sub>b</sub> - max.	78 mm
r <sub>a</sub> - max.	1 mm
r <sub>b</sub> - max.	0.3 mm
d <sub>n</sub>	64.6 mm



## BEARING CORP.OF AMERICA

Basic dynamic load rating - C	15.3 kN
Basic static load rating - C <sub>0</sub>	10.6 kN
Fatigue load limit - P <sub>u</sub>	0.455 kN
Limiting speed for grease lubrication	28000 r/min
Limiting speed for oil lubrication	43000 mm/min
Ball - D <sub>w</sub>	7.938 mm
Ball - z	21
G <sub>ref</sub>	2.3 cm <sup>3</sup>
Calculation factor - f <sub>0</sub>	8.4
Preload class A - G <sub>A</sub>	83 N
Preload class B - G <sub>B</sub>	250 N
Preload class C - G <sub>C</sub>	500 N
Calculation factor - f	1.16
Calculation factor - f	1
Calculation factor - f <sub>2A</sub>	1
Calculation factor - f <sub>2B</sub>	1.05
Calculation factor - f <sub>2C</sub>	1.09
Calculation factor - f <sub>HC</sub>	1.01
Preload class A	46 N/micron
Preload class B	74 N/micron
Preload class C	102 N/micron
d <sub>1</sub>	62.75 mm
d <sub>2</sub>	60.7 mm
D <sub>1</sub>	72.3 mm
C <sub>1</sub>	6.5 mm
C <sub>2</sub>	2.5 mm
C <sub>3</sub>	2 mm
r <sub>1,2</sub> min.	1 mm



## BEARING CORP.OF AMERICA

$r_{3,4}$ min.	0.3 mm
$d_a$ min.	59.6 mm
$d_b$ min.	57 mm
$D_a$ max.	75.4 mm
$D_b$ max.	78 mm
$r_a$ max.	1 mm
$r_b$ max.	0.3 mm
$d_n$	64.6 mm
Basic dynamic load rating C	15.3 kN
Basic static load rating $C_0$	10.6 kN
Fatigue load limit $P_u$	0.455 kN
Attainable speed for grease lubrication	28000 r/min
Attainable speed for oil-air lubrication	43000 r/min
Ball diameter $D_w$	7.938 mm
Number of balls z	21
Reference grease quantity $G_{ref}$	2.3 cm <sup>3</sup>
Preload class A $G_A$	83 N
Static axial stiffness, preload class A	46 N/ $\mu$ m
Preload class B $G_B$	250 N
Static axial stiffness, preload class B	74 N/ $\mu$ m
Preload class C $G_C$	500 N
Static axial stiffness, preload class C	102 N/ $\mu$ m
Calculation factor f	1.16
Calculation factor $f_1$	1
Calculation factor $f_{2A}$	1
Calculation factor $f_{2B}$	1.05
Calculation factor $f_{2C}$	1.09
Calculation factor $f_{HC}$	1.01



## BEARING CORP.OF AMERICA

Calculation factor $f_0$	8.4
Mass bearing	0.14 kg