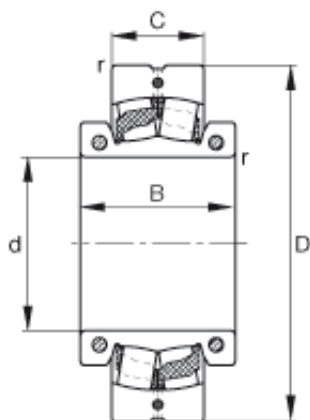




## BEARING CORP.OF AMERICA



5 15/16 inch x 310 mm x 128 mm FAG 222S.515 spherical roller bearings

Bearing No. 222S.515

Size	150.813x310x86 mm
Bore Diameter	150,813 mm
Outer Diameter	310 mm
Width	86 mm
d	150,813 mm
d	5 15/16 inch
D	310 mm
C	86 mm
B	128 mm
r <sub>min</sub>	4 mm
m	36 kg / Weight
C <sub>r</sub>	965000 N / Dynamic load rating (radial)
e	0,26
Y <sub>1</sub>	2,64
Y <sub>2</sub>	3,93
C <sub>0r</sub>	1370000 N / Static load rating (radial)
Y <sub>0</sub>	2,58
n <sub>G</sub>	940 1/min / Limiting speed
C <sub>ur</sub>	94000 N / Fatigue limit load, radial
F <sub>a max</sub>	22200 N / Permissible axial load, for inner ring without axial abutment
M <sub>i</sub>	69 Nm / Tightening torque

222S.515 Bearing 2D drawings and 3D CAD models



## BEARING CORP.OF AMERICA

	per clamping screw
$M_a$	35 Nm / Tightening torque per clamping screw
	22234K / Designation, spherical roller bearing, unsplit
	H3134.515
SNW34.515	Designation, adapter sleeve, US design