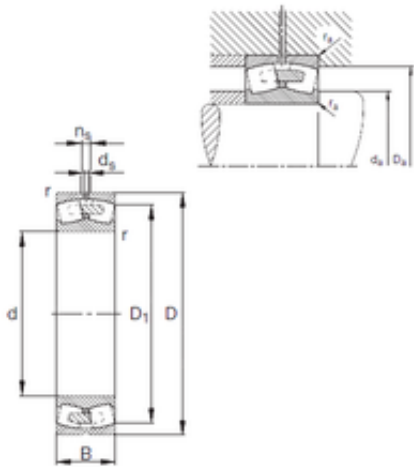




# BEARING CORP.OF AMERICA

380 mm x 560 mm x 180 mm FAG 24076-E1A-MB1 spherical roller bearings



Bearing No. 24076-E1A-MB1

Size	380x560x180 mm
Bore Diameter	380 mm
Outer Diameter	560 mm
Width	180 mm
d	380 mm
D	560 mm
B	180 mm
C	180 mm
n	17,7 mm
r min.	5 mm
D1	499 mm
da min.	398 mm
Da max.	542 mm
ra max.	4 mm
d5	9,5 r/min
Weight	152 Kg
Basic dynamic load rating (C)	3750 kN
Basic static load rating (C0)	7000 kN
Fatigue load limit (Pu)	590
Reference speed	540 r/min
Limiting speed	980 r/min
Calculation factor (e)	0,29
Calculation factor (Y0)	2,28
Calculation factor (Y1)	2,33
Calculation factor (Y2)	3,47

24076-E1A-MB1 Bearing 2D drawings and 3D CAD models



# BEARING CORP.OF AMERICA